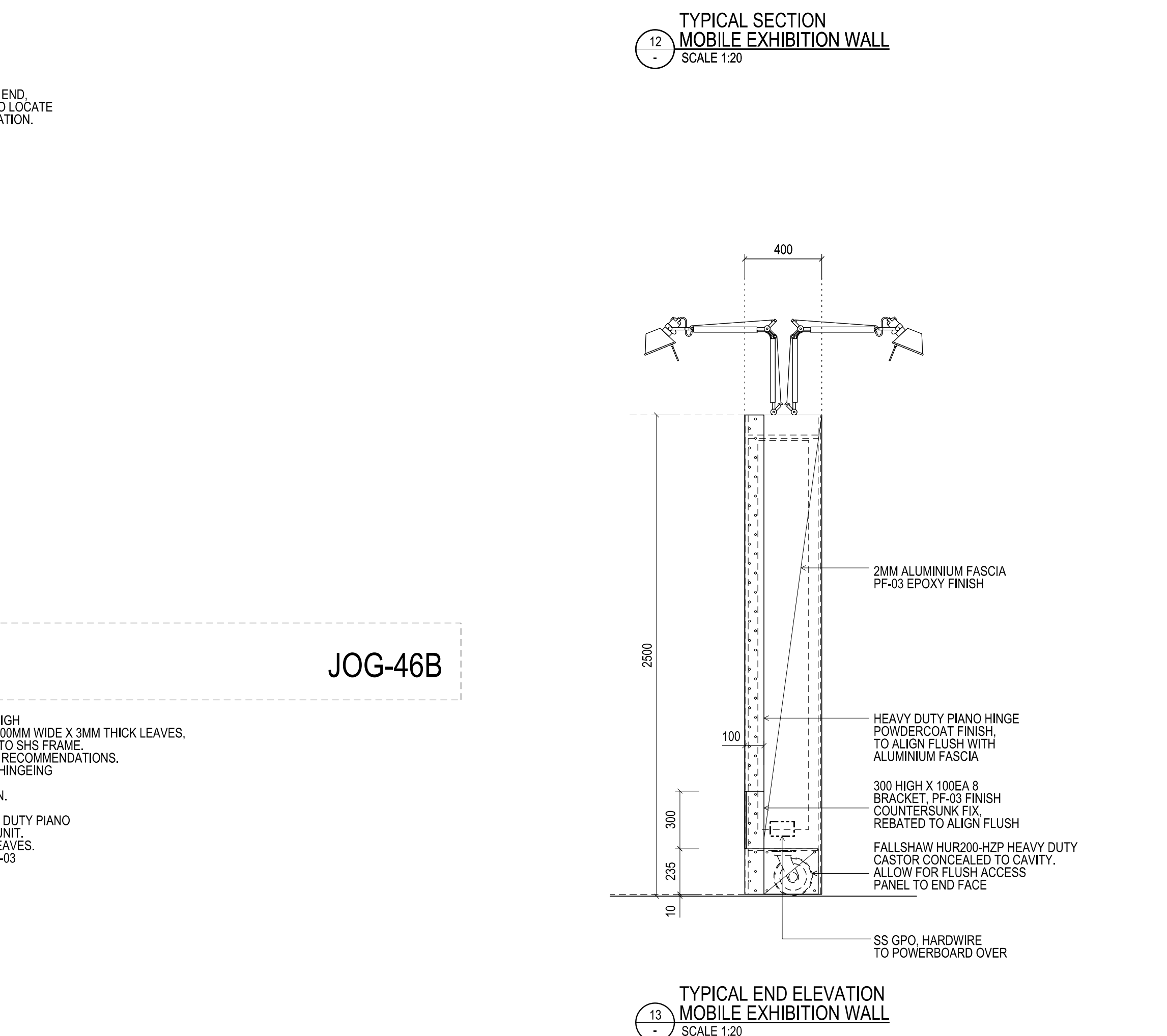
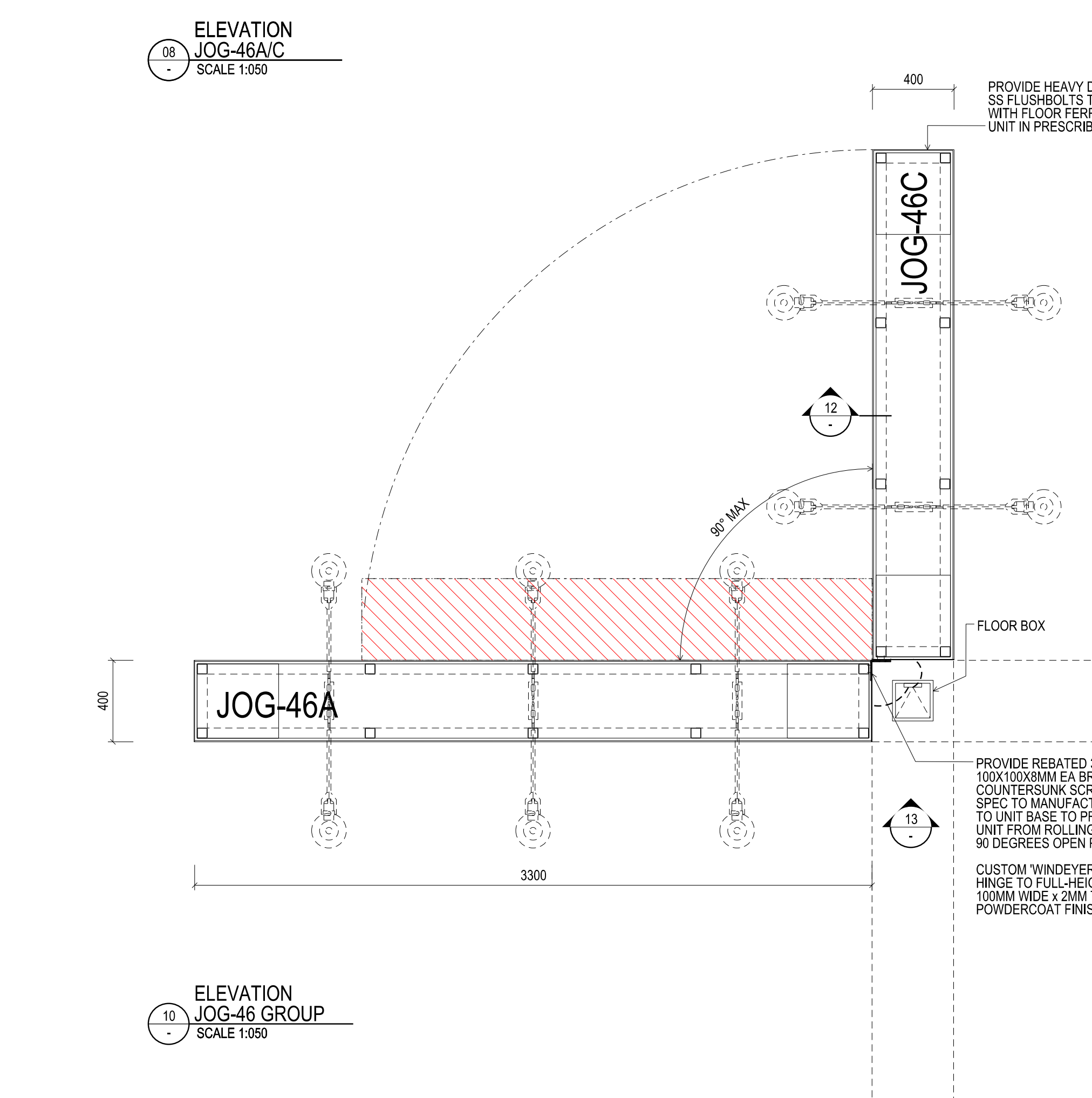
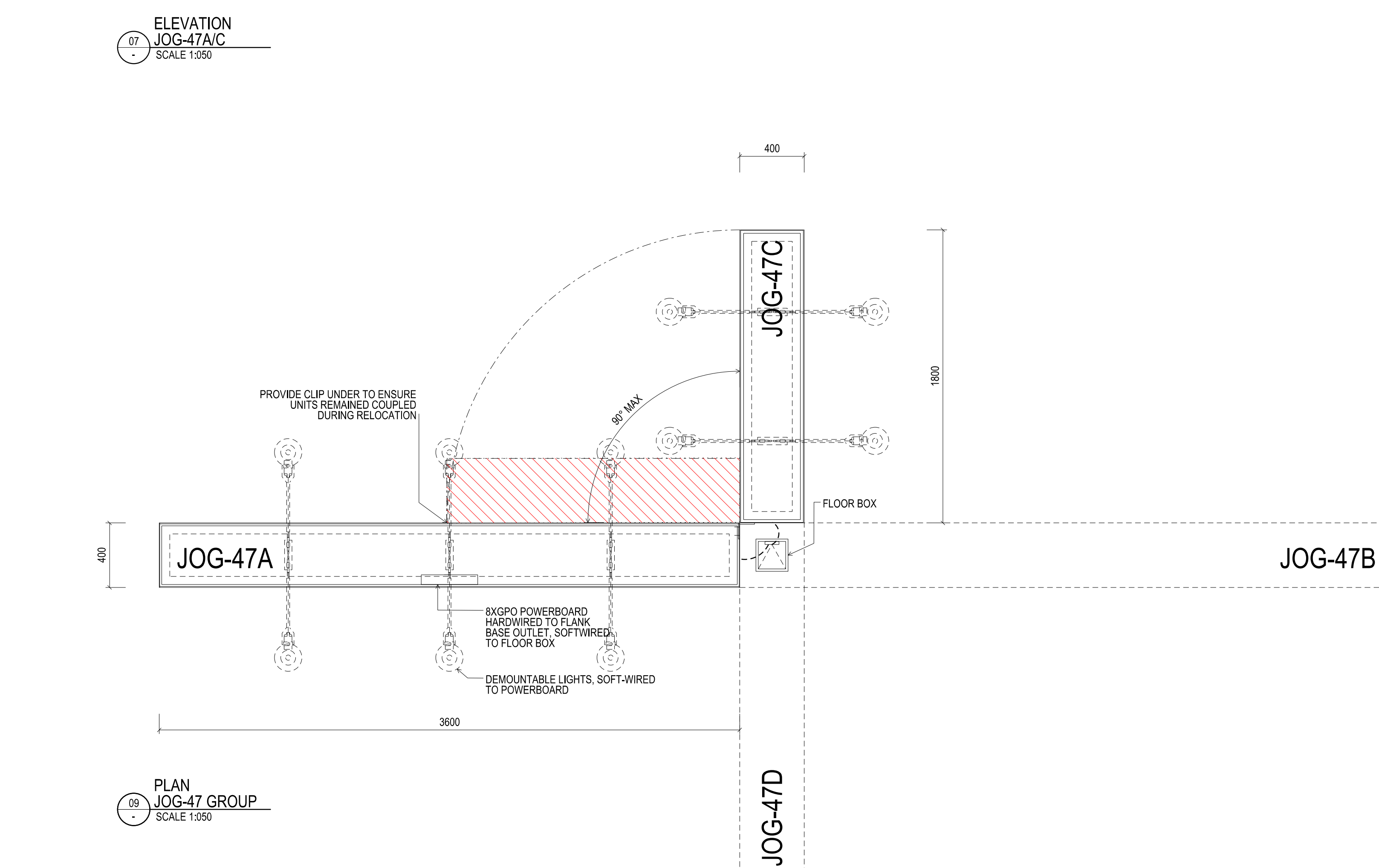
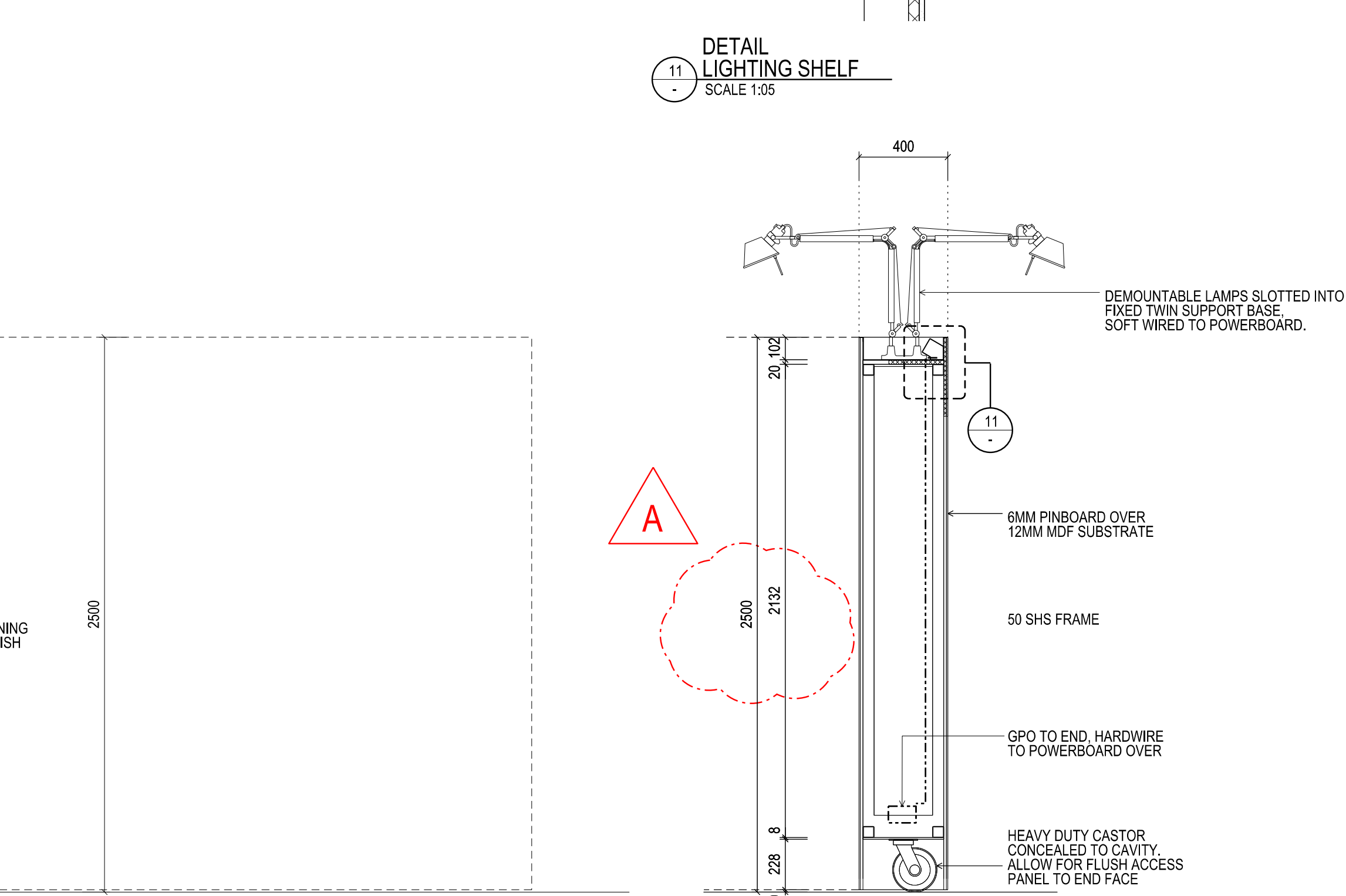
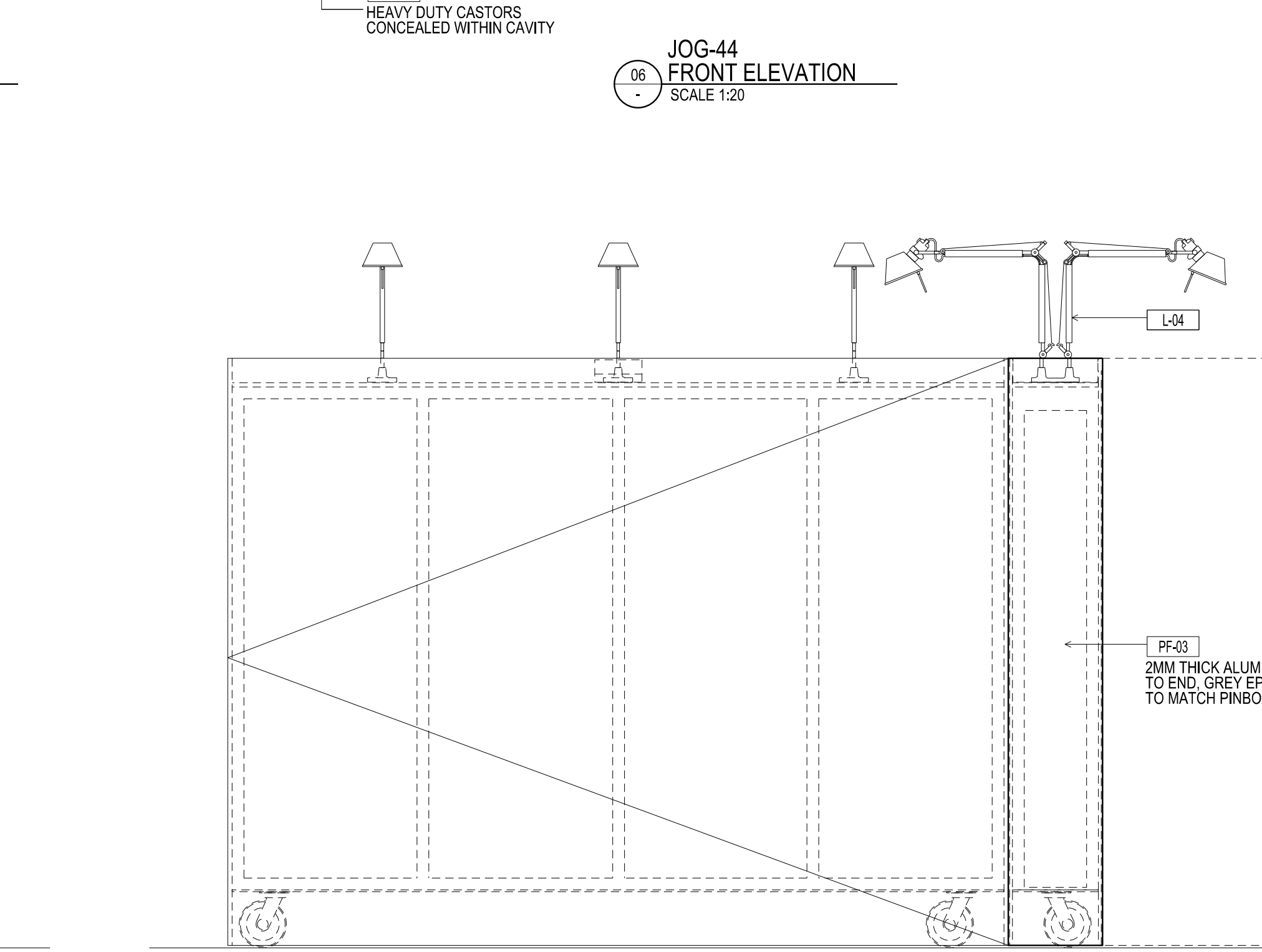
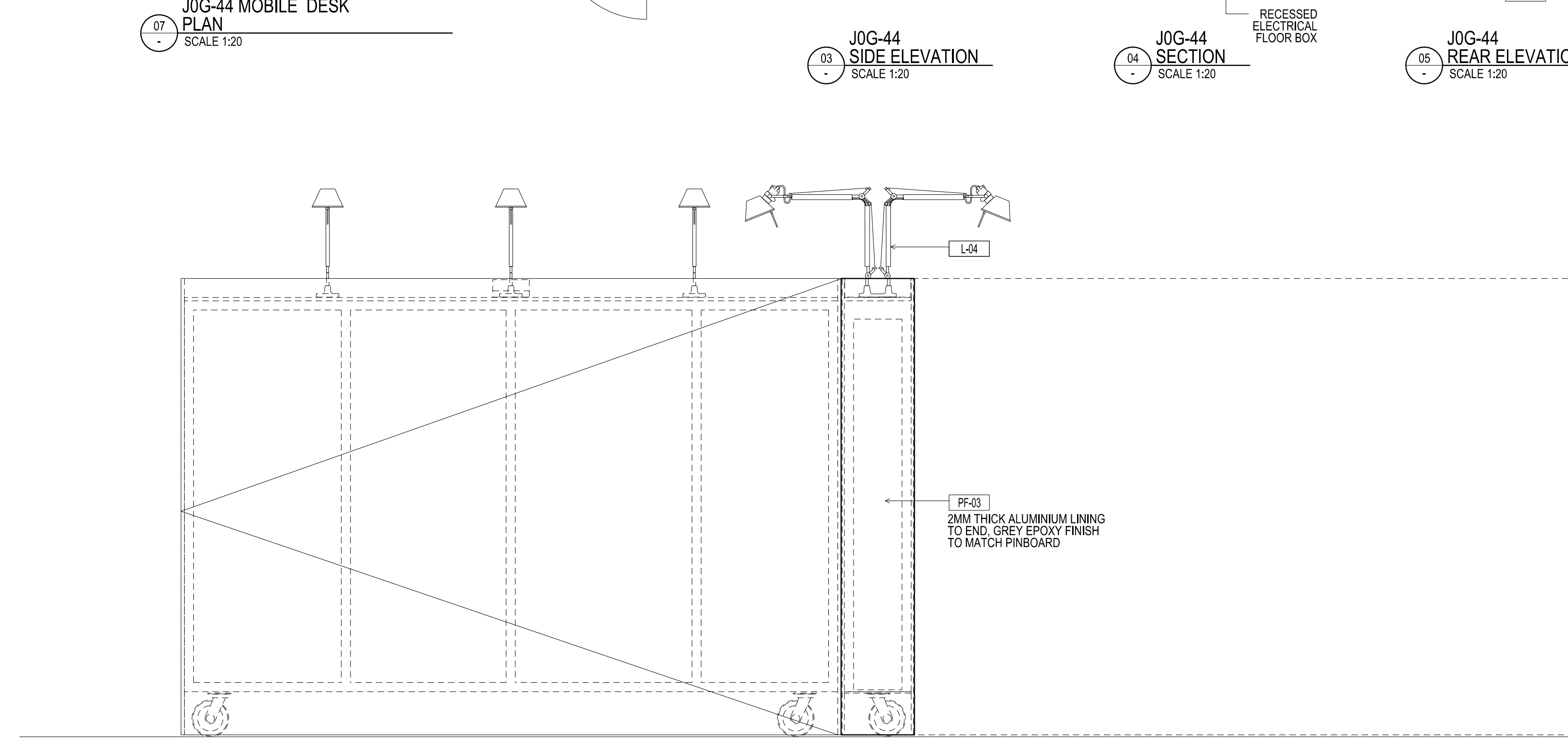
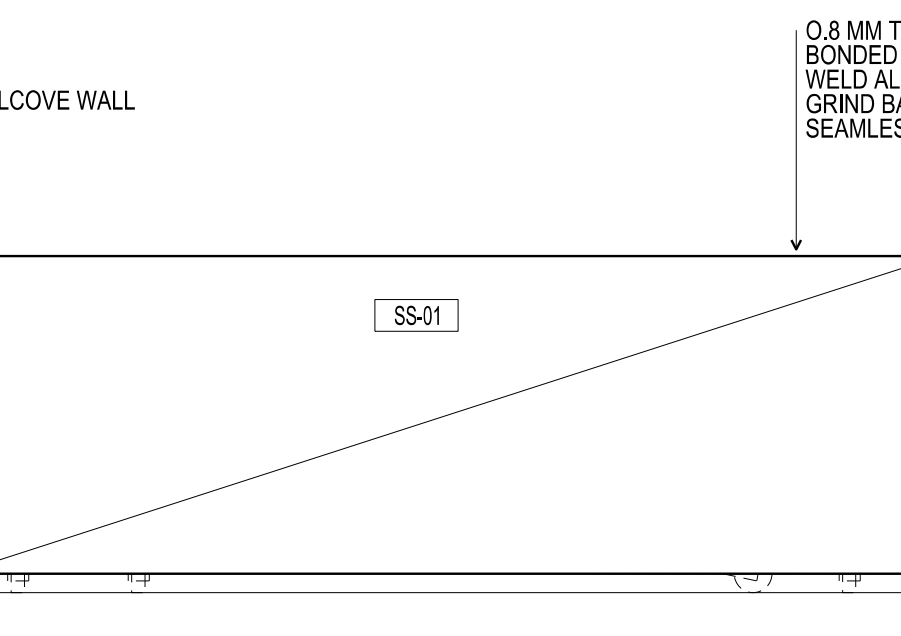
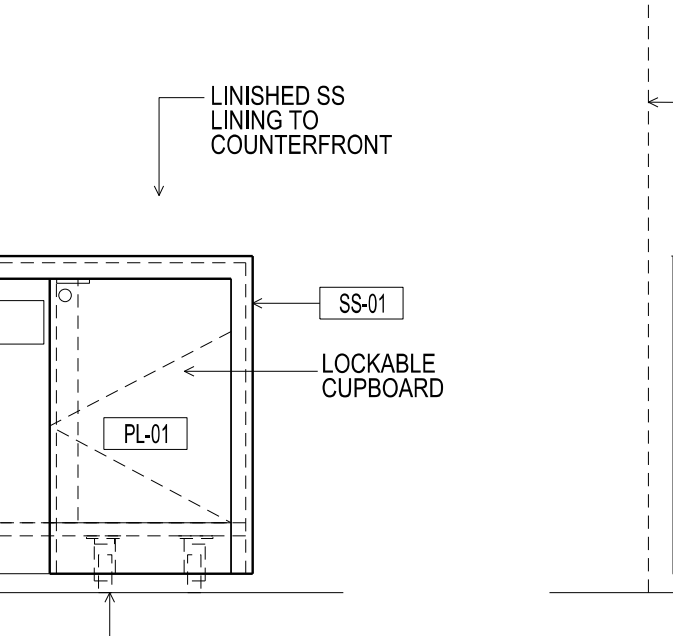
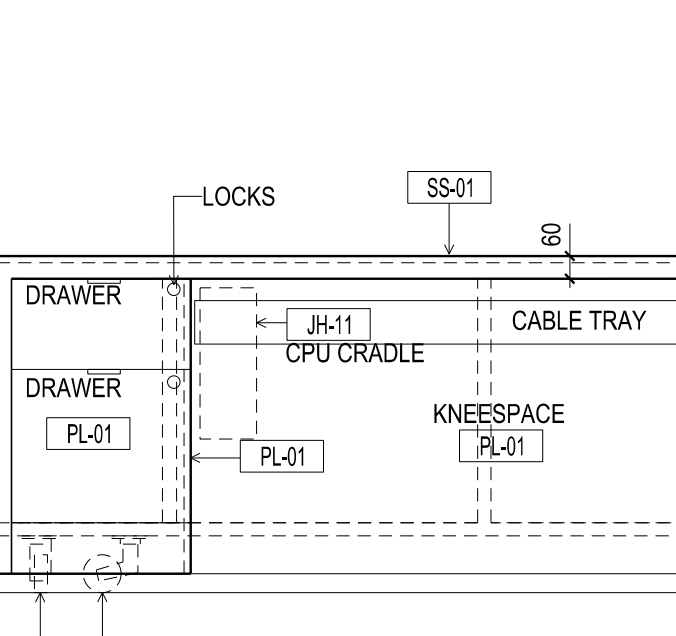
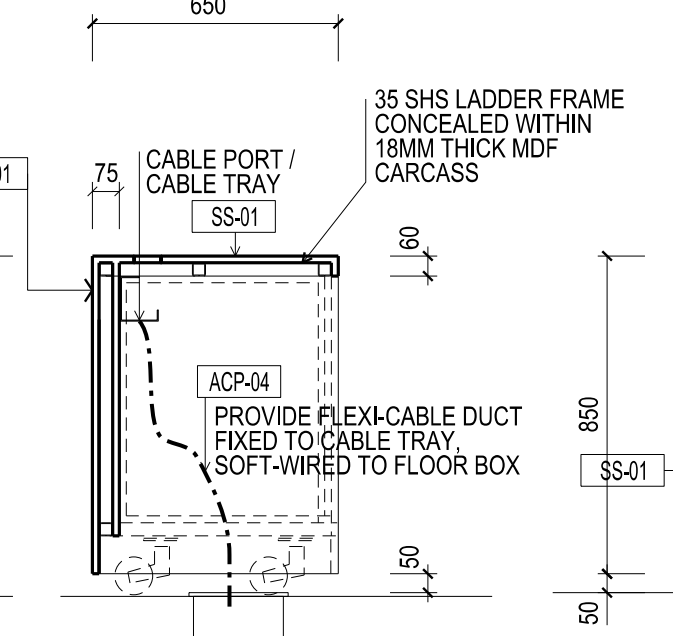
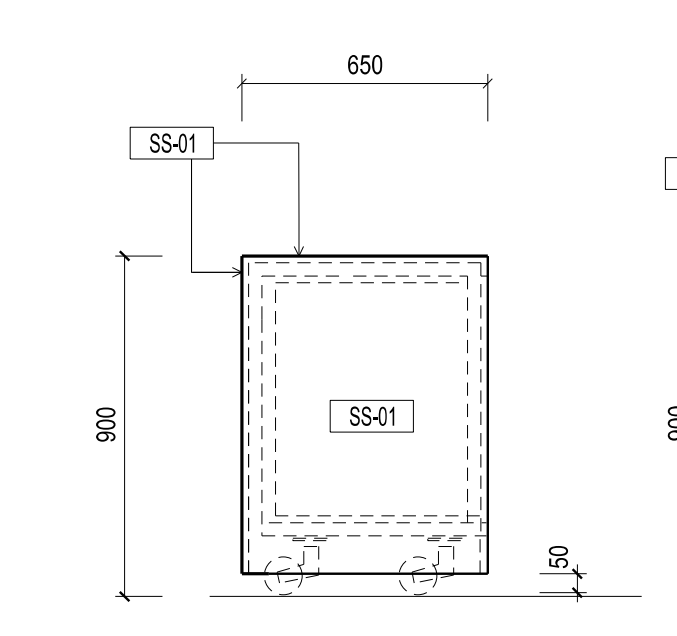
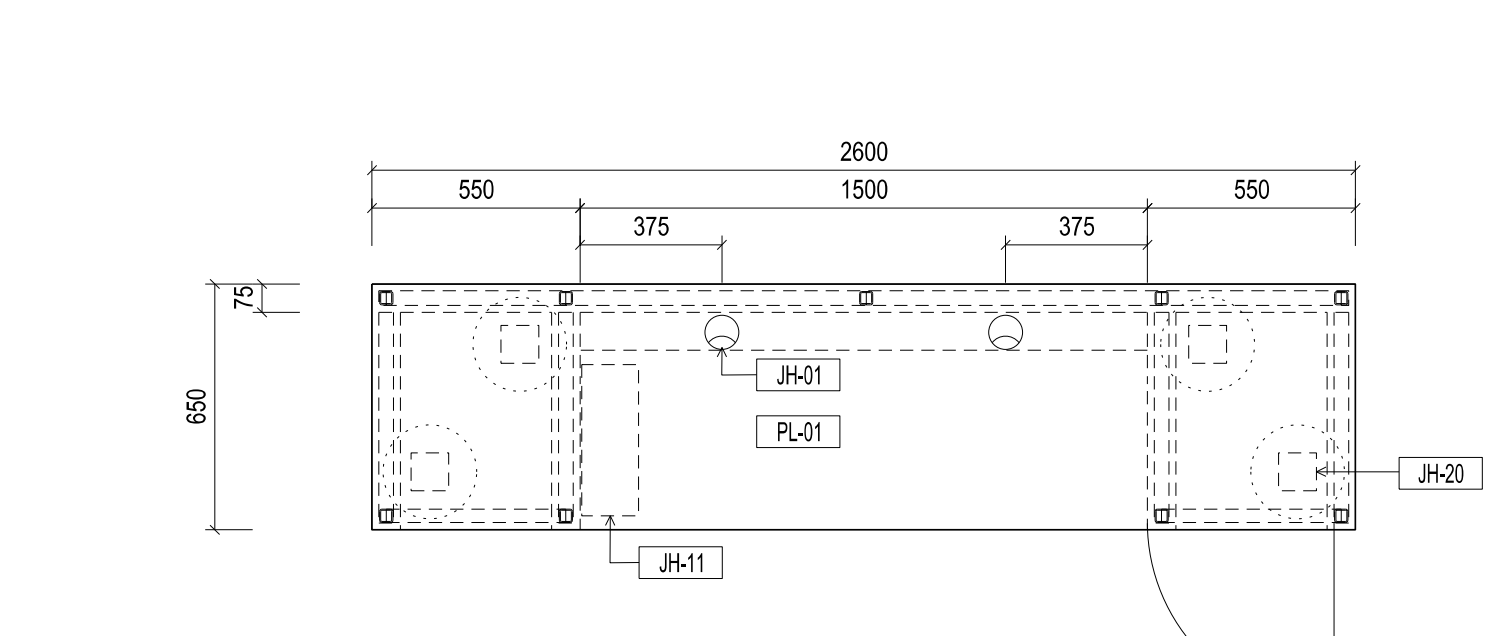
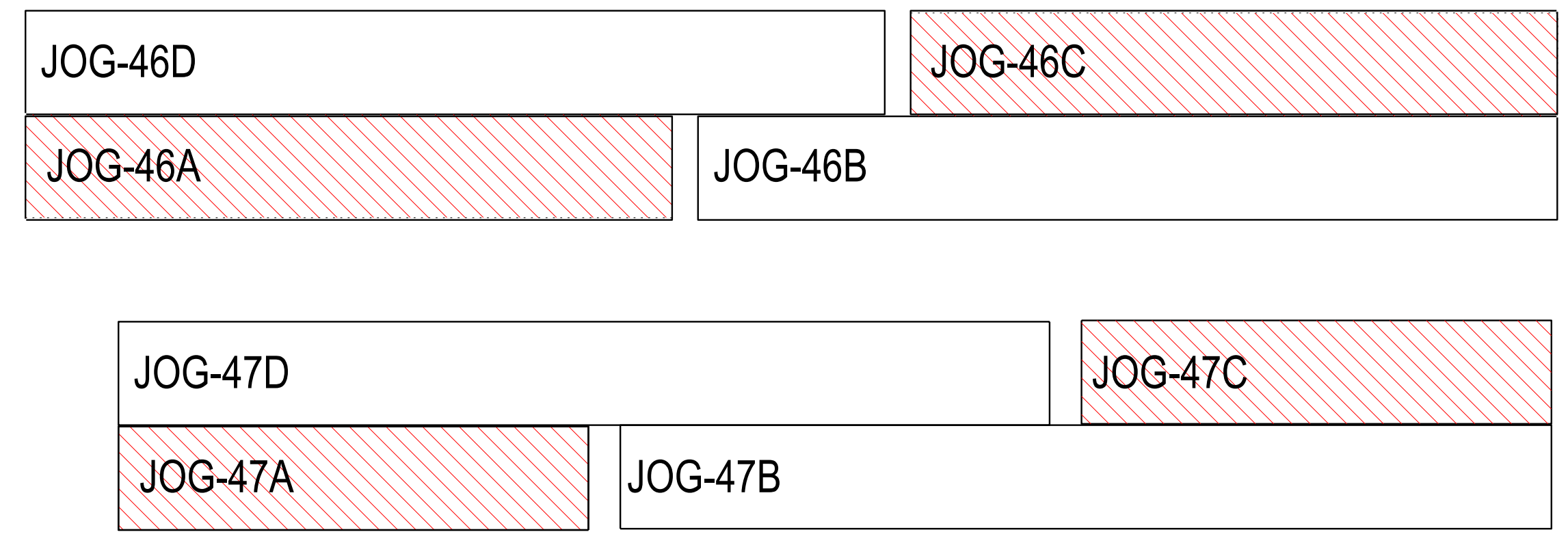
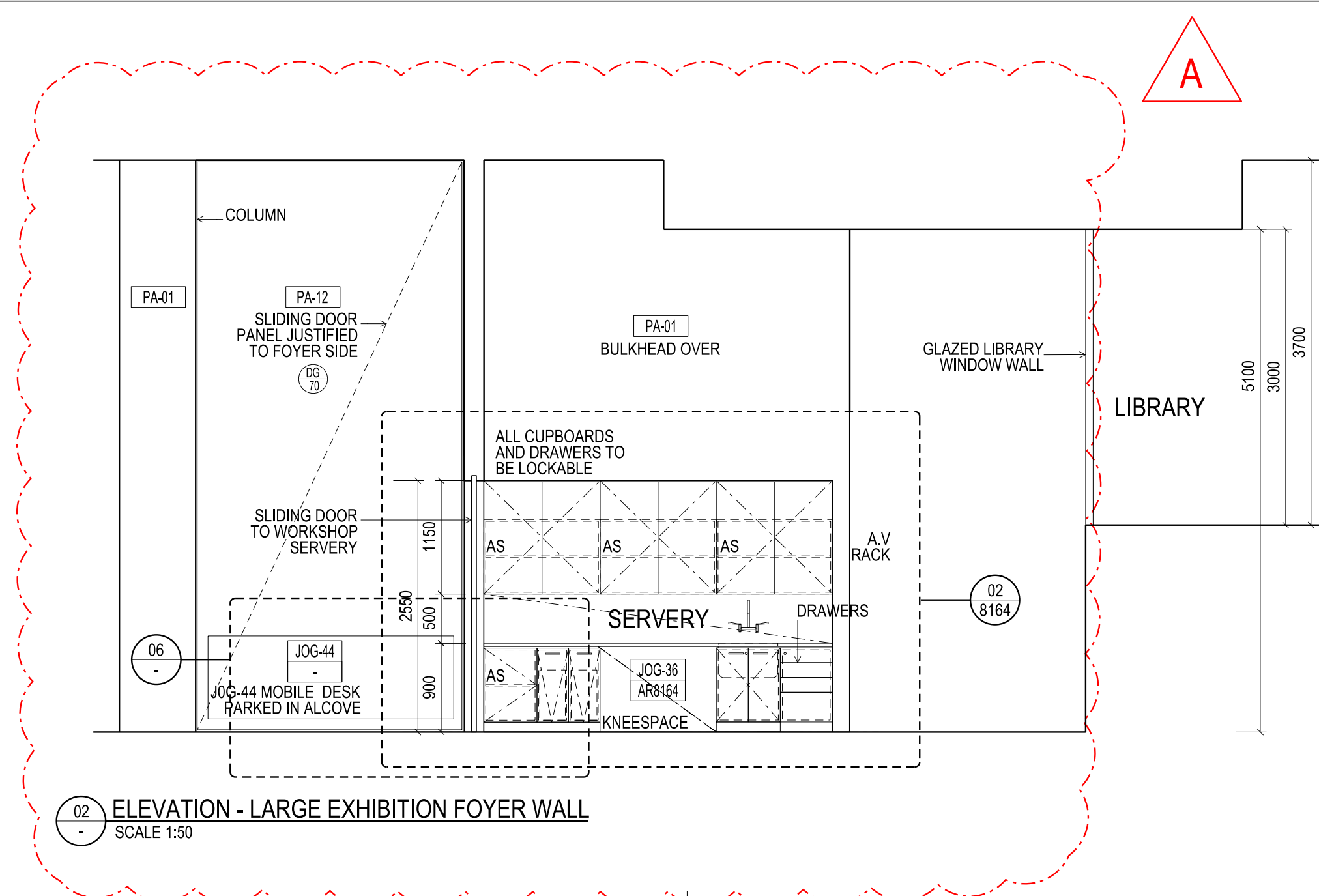
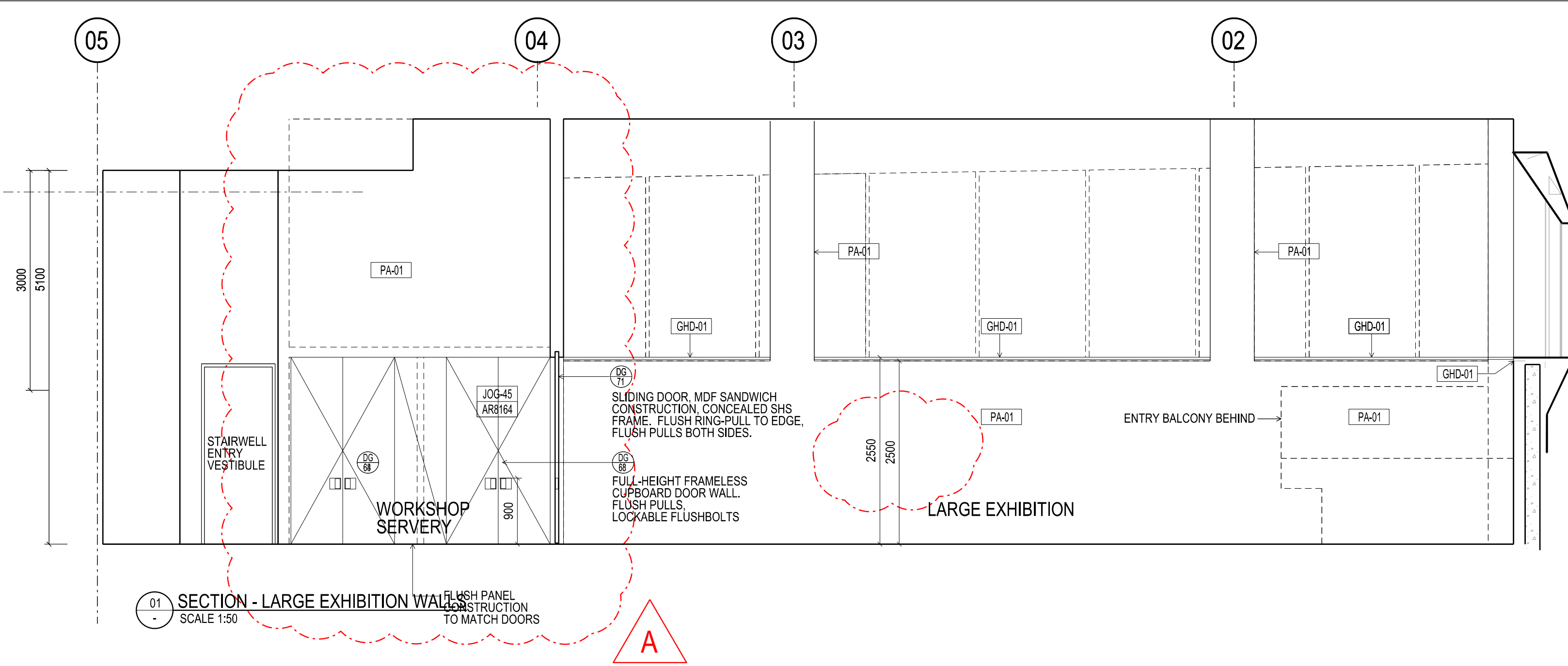


CONTRACTORS SHALL VERIFY DIMENSIONS BEFORE ANY JOB COMMENCES. ALL SHOP DRAWINGS SHALL BE SUBMITTED TO THE SUPERINTENDENT AND MANUFACTURER SHALL NOT COMMENCE FROM THE RETURN OF DRAWINGS SHOWN BY THE CONSULTANT. DIMENSIONS SHALL TAKE PRECEDENCE OVER SCALES. THIS DRAWING SHALL BE READ IN CONJUNCTION WITH ALL RELEVANT CONTRACT SPECIFICATIONS AND DRAWINGS COPYRIGHT OF THIS DRAWING IS VESTED IN WARDLE.

General Notes



Rev	Issue	Revision Description	And	Date
A	SS	ISSUED FOR CONSTRUCTION	-	10.01.14
01	SS	ADDENDUM ISSUE No.5	-	17.05.12



NADAAA
 NADAAA
 1520 Washington Street No.2
 Boston Massachusetts 02115 USA
 Telephone +1 617 442 8232
 Facsimile +1 617 442 1417
 Email nadaaa@nadaaa.com

John Wardle Architects
 25 Rokeby Street, Collingwood, Victoria 3066 Australia
 Tel: +61 3 8662 0400 www.johnwardlearchitects.com
 © 2012 John Wardle Architects ABN 83 006 814 268

Client **University of Melbourne Parkville Campus**
 Project **Faculty of Architecture Building and Planning**

Title **DETAILS G01 LARGE EXHIBITION**

Project No.	0913	Scale	1:50 @ A0
Drawing No.	AR5711	Revision	A

Date: May 2011 Drawn: Co-Ord: Chk:

FILENAME - \$FILES

FOR CONSTRUCTION